

**Runyes**<sup>®</sup>  
FOCUS ON DENTAL



Perfect your clinic!





Runyes Medical is a Chinese company founded in the year of 2000, which is the first company in China making the dental steam sterilizer. From 2004 to 2014, Runyes had provided 135,000 pieces steam sterilizers to the world. Since we started producing steam sterilizer, X ray machine and Dental unit in 2004, we have acquired sufficient knowledge in the field, had established ourselves as a main producer of dental equipments. Today we strive to be technology and design trendsetters, and we are able to offer innovative solutions.

## Streamlined and Efficient working flow

It is so crucial for the dentist assistant to enjoy the most convenience, as most of the beginning and ending of the dental practices are executed by them.



## Until when that you can affirm yourself that You deserve the best?

You deserve the best, so does your practicing team, as well as the patient.



**CARE 11**  
Swing Type



DCI-6

**CARE 11**  
Hanging type



D4-2



Halogen Light



**CARE 22**  
Swing Type



DCI-6

**CARE 22**  
Hanging type



D4-2



Halogen Light





**CARE 33**  
Swing Type



Halogen Light

**CARE 33**  
Hanging type



D4-2



DCI-6



# Features

## \*Ergonomic designed dental chair, make the operation comfort

With safety switch to protect operator  
Linkage structure  
Lift capacity: 135kgs

## \*Intelligent microcomputer control, make the operation easier

Dentist station control panel  
Nurse station control panel  
Patient chair excellent movement with compensation  
Four memory position settings  
Last position memory function  
Cup water / Spittoon control button

## \*Dental Chair Side box 90° rotatable, more working place

Ceramic cuspidor, easy to clean  
Cup water heating system, temperature ranges 30 - 45°  
(Standard for CARE33/CARE22, optional for CARE11.)

## \*Durable PU Base, make the clinic quiet

### \*Multifunction control on the PU Base

Patient Chair UP/Down movement  
Backrest UP/Down movement  
Customized control button

### \*Multifunction foot pedal

Control dentist instruments operation  
Cup water / Spittoon control button default function:Reset/Rinse.

### \* Halogen light for standard

Light intensity from 8000 to 20000 Lux

### \*Option: D4-2 LED light

Light intensity from 8000to 25000 Lux

### \*Option: DCI6 LED light with blue light

Light intensity 16000LX ,26000LX ,38000LX  
Low-thermal emission LED light sources  
Hermetically sealed front screen makes external cleaning easier and stops any dust or spray fluid getting inside the dish

## \*Basic Parameters

Power supply: 220V a.c 50Hz/60Hz  
Water pressure: 0.2MPa~0.4MPa  
Air pressure: 0.55MPa ~ 0.6MPa

## \*Standard specifications

Three way Syringe	2sets (one on Dentist station, one on Nurse station)
Handpiece silicon tube	3sets (2 holes or 4 holes)
Film Viewer	1set
Suction system	1set
Strong suction system	1set
Dentist stool J111	1set
Halogen Lamp	1set

## \*Required specifications

Cushion Color

Chinese Leather: C01  C02  C03  C04  C05

USA Leather: I01  I02  I03  I04  I05  I06  I07

Junction box: Inside/Fixed  Removable box

Suction system: CX-0  CX-I  CX-II  CX-III  CX-III

Handpiece tube: 2holes  4holes

Package: one box  two boxes  (one box for patient chair, one box for Treatment unit)

## \*Optional specifications

Fiber Optic: Handpiece tube 1    Handpiece tube 2    Handpiece tube 3

Built-in Scaler: Runyes C2  Woodpecker N2  Woodpecker N3  EMS

LED lamp: Runyes D4-2  DCI-6

Built-in Oral camera: Runyes CMR-01

Built-in Curing light: Fort  Monitor Arm X2

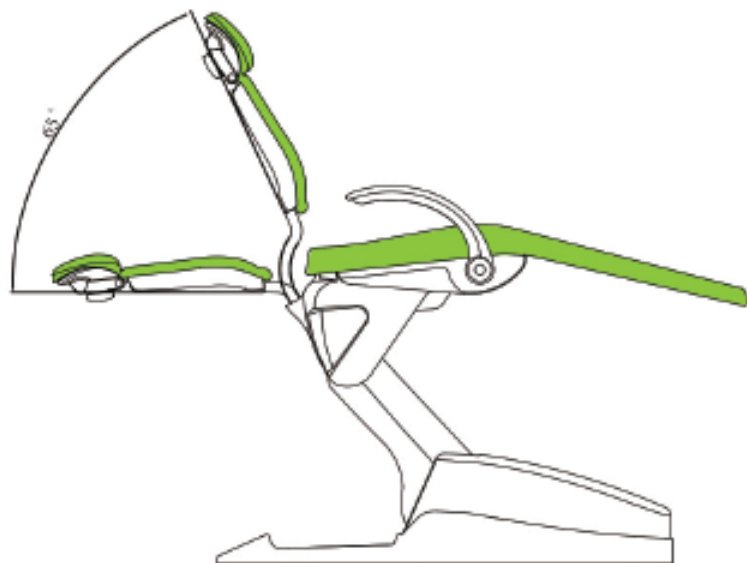
Dentist stool: J111  Nurse stool J108

# Colors for your Options

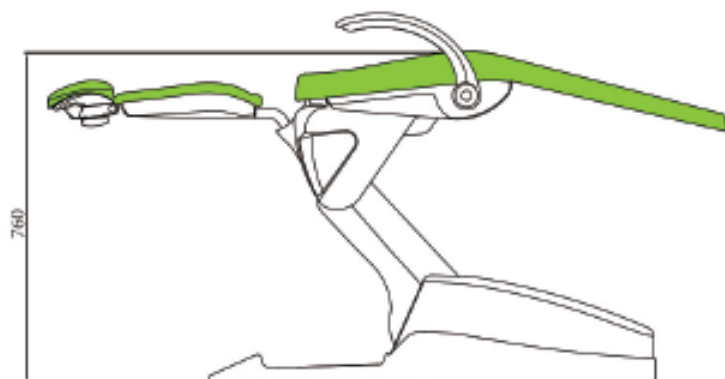
- Chinese Leather
- USA Leather



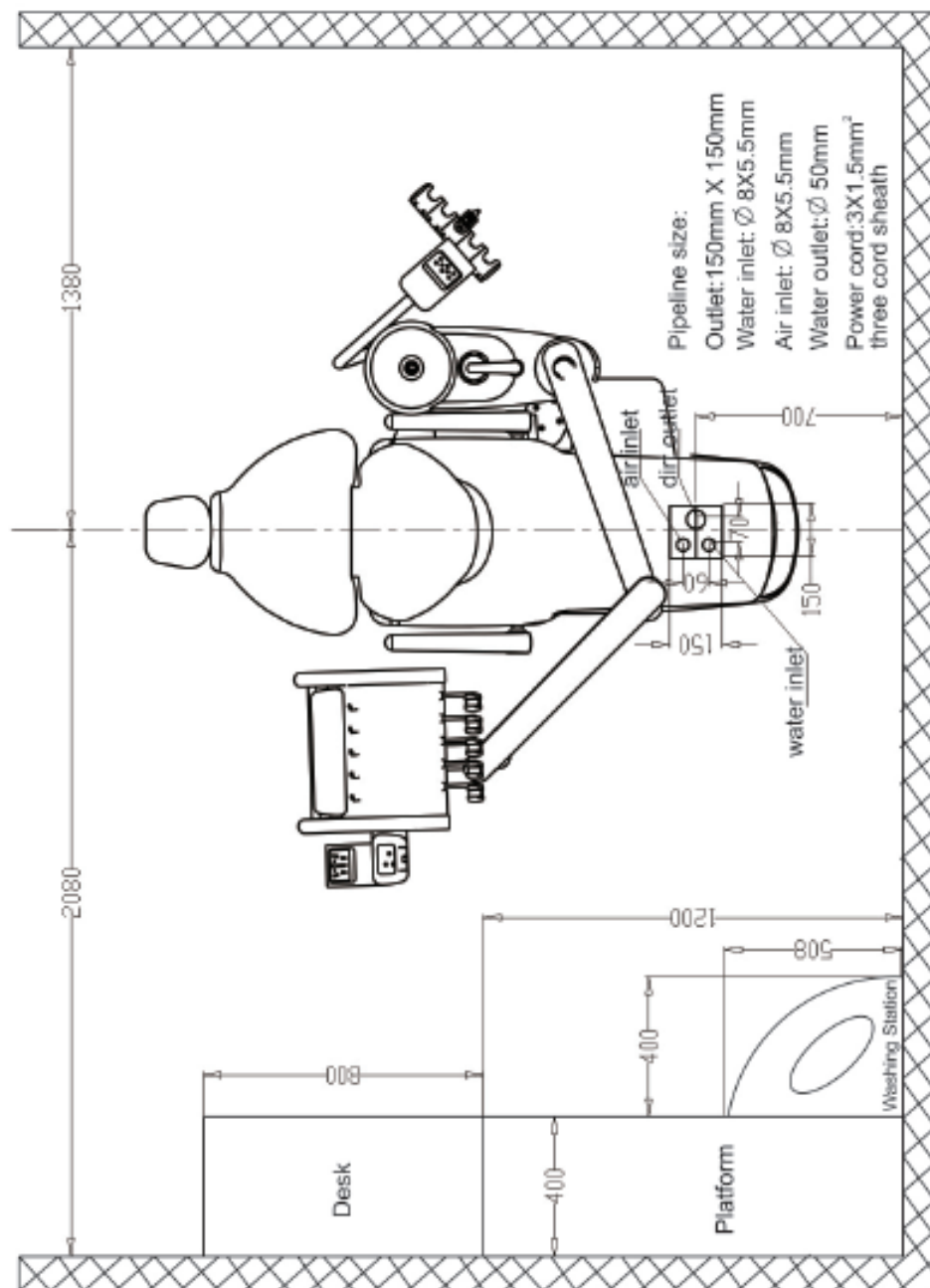
## Movements



## Dimensions



## Clinic layout





## Runyes Medical Instrument Co.,Ltd.

Add:No. 456, Tonghui Road, Jiangbei Investment & Pioneering Park C, Ningbo

Tel:+86-574-27709922 Fax:+86-574-27709923

Http://www.runyes.com E-mail:runyes@runyes.com



Version:201509  
All Rights Reserved